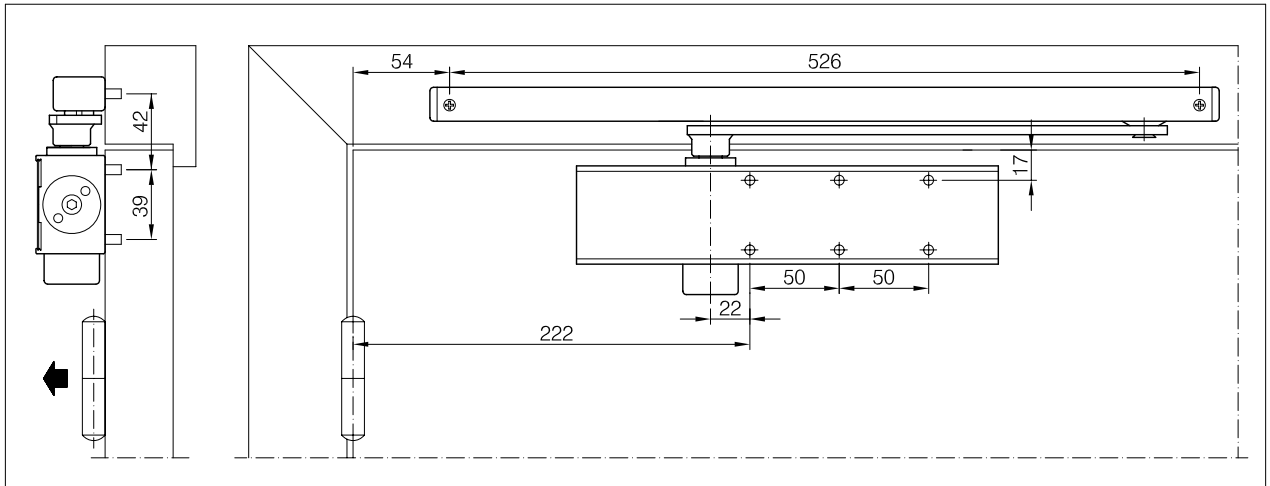


DORiNT 915

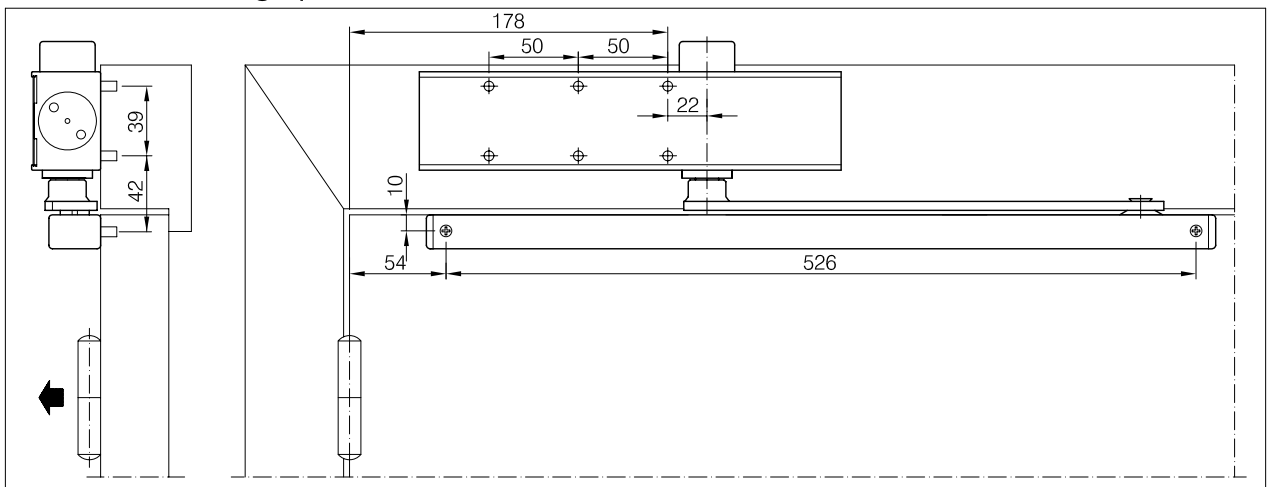
Applications
and fixing details

Door leaf fixing, pull side (Example shows LH [ISO 6] door; RH [ISO 5] doors mirrored arrangement)



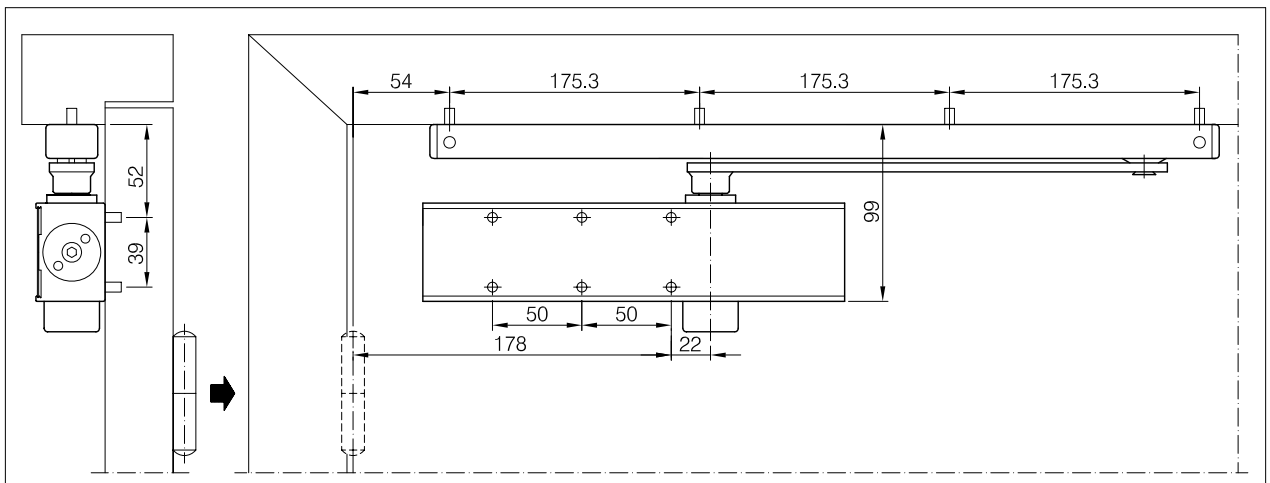
Provided the conditions allow, an opening angle of 180° is possible with this method of fixing. In most cases, however, a wall recess will have to be provided for the door closer.

Transom fixing, pull side (Example shows LH [ISO 6] door; RH [ISO 5] doors mirrored arrangement)



Provided the structural conditions allow, an opening angle of 180° is possible with this method of fixing.

Door leaf fixing, push side (Example shows RH [ISO 5] door; LH [ISO 6] doors mirrored arrangement)



Depending on the structural conditions, the door opening angle with this method of fixing is limited to approx. 160°.