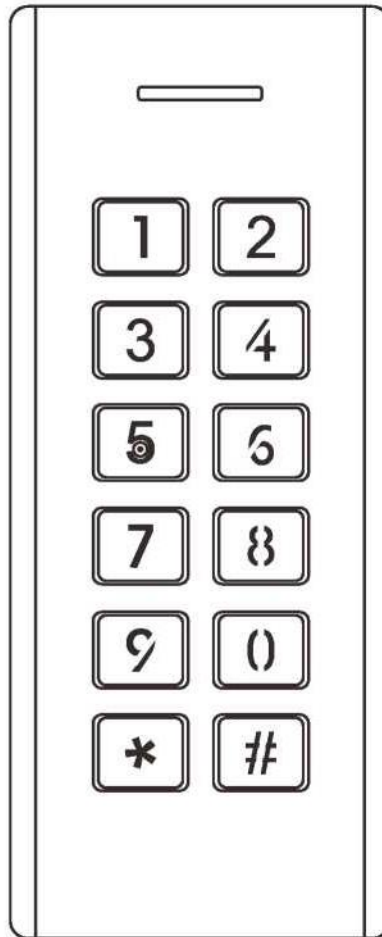


User Manual

# KRATOS

## Keypad



# INTRODUCTION-----

The device is a single entry standalone keypad access control. It is an easy to install and operate device, designs in as less as 6 wires for mounting, with user-friendly programming. The compact design makes it a good choice for door access.

The device is housed in a strong zinc alloy electroplated case. It supports up to 1000 PIN users.

## Two Versions Optional:

- 1) Indoor, non-waterproof
- 2) Outdoor, Waterproof(IP66)

## Features

- > Vandal resistant enclosure
- > Backlit keypad
- > Multi-color LED status display
- > One Programmable relay output
- > 1000 Users (990 Normal Users+10 Visitor Users)
- > Low power consumption (50mA)
- > Anti- tamper alarm
- > Latch Mode to hold door or gate open
- > 9-18V DC power input

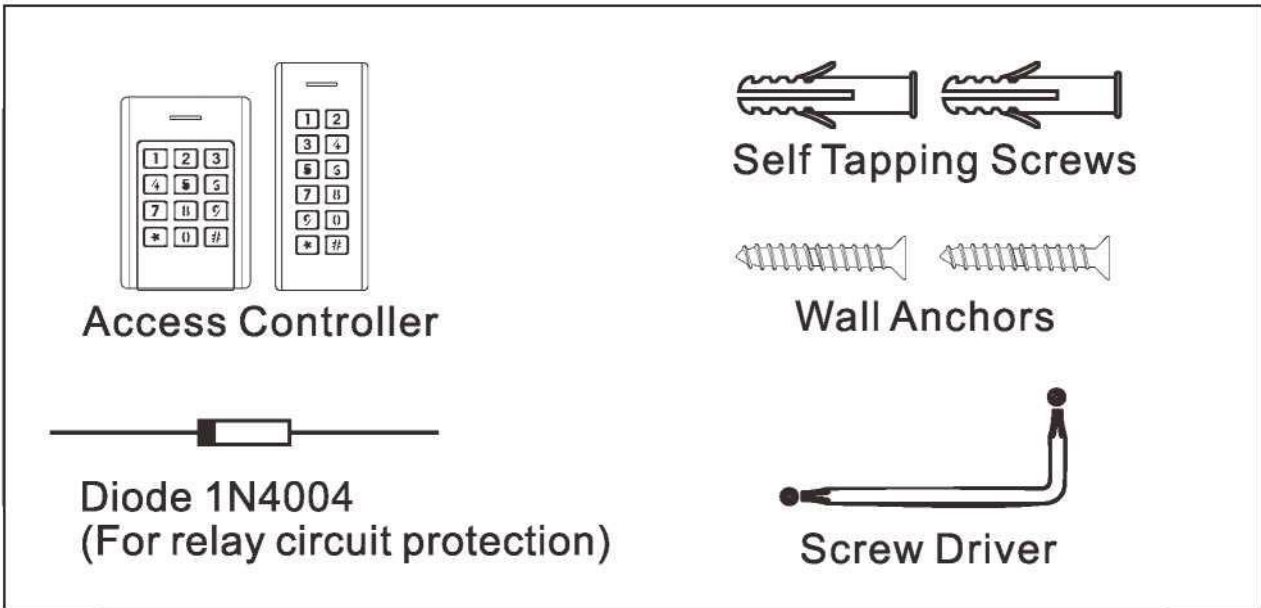
## Specifications

<b>User Capacity</b> Normal Users Visitor Users	<b>1000 PINs</b> 990 10
<b>Operating Voltage</b> Idle Current Active Current	<b>9-18VDC</b> 50mA 80mA
Wiring Connections	Relay Output, Exit Button
<b>Relay</b> Adjustable Relay Output Time Lock Output Load	<b>One (NO, NC, Common)</b> 0-99 Seconds (5 seconds default) 3 Amp Maximum
<b>Environment</b> Operating Temperature Operating Humidity	<b>Meets IP66(Waterproof Version)</b> -40°C~60°C (-40°F~140°F) 10%-90% Non-condensing



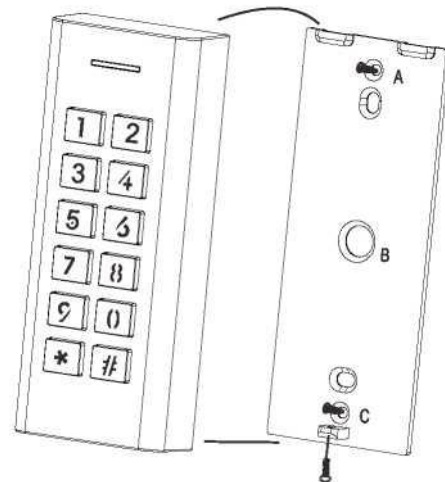
<p><b>Physical</b></p> <p>Surface Finish</p> <p>Dims □ sio □ s</p> <p>Unit Weight</p> <p>Shipping Weight</p>	<p><b>Zinc-Alloy Enclosure</b></p> <p>Powder Coat</p> <p>L98 X W66 X H22(mm) (Wide)</p> <p>L120 X W49 X H24(mm) (Narrow)</p> <p>295g</p> <p>350g</p>
--	--

## Carton Inventory



## INSTALLATION

- > Remove the back cover from the unit
- > Drill 2 holes(A,C) on the wall for the screws and one hole for the cable
- > Knock the supplied rubber bungs to the screw holes(A,C)
- > Fix the back cover firmly on the wall with 4 flat head screws
- > Thread the cable through the cable hole(B)
- > Attach the unit to the back cover.

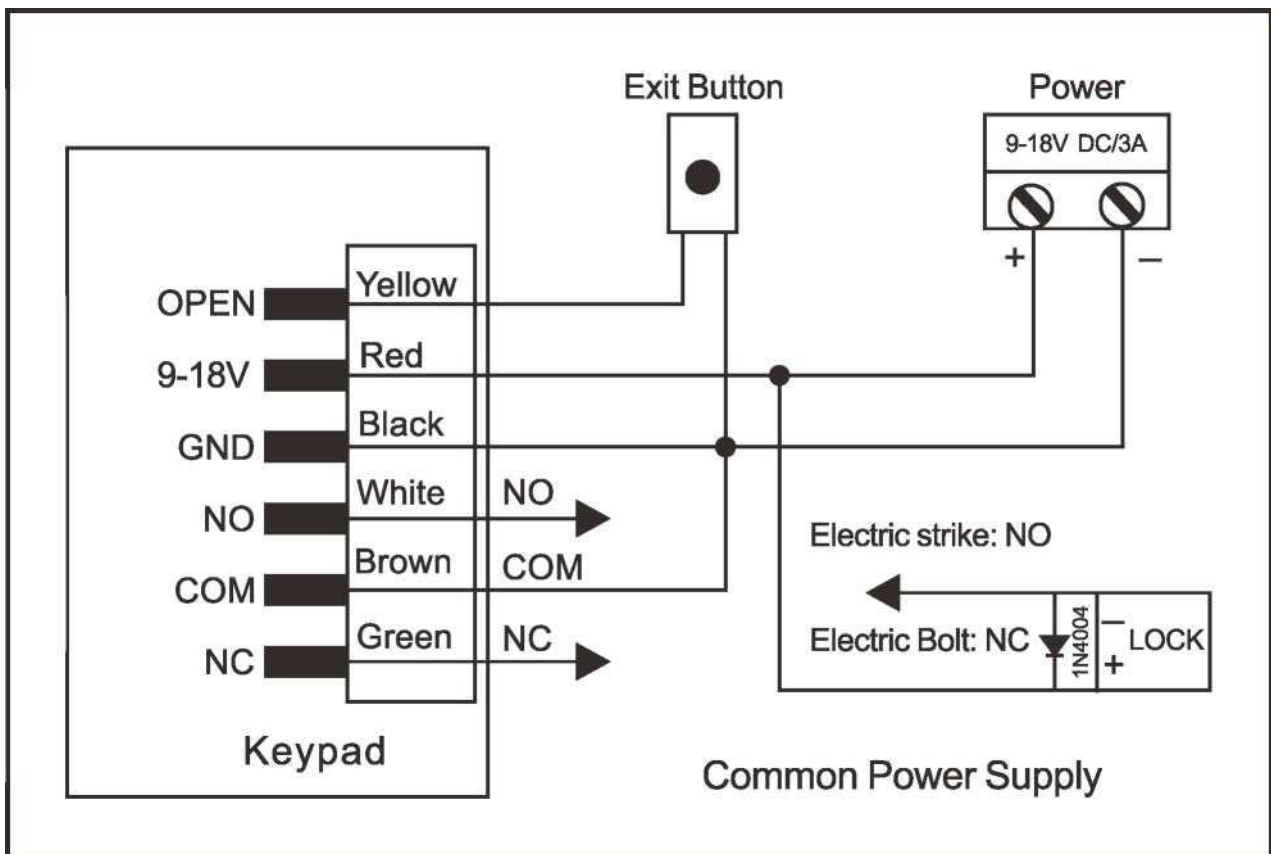


## Wiring

Wire Colour	Function	Notes
Yellow	OPEN	Request to Exit input(REX)
Red	Power +	9-18 Vots DC Regulated Power Input
Black	GND	Ground
White	NO	Normally Open Relay Output
Brown	COM	Common Connection for Relay Output
Green	NC	Normally closed Relay Output

## Connection Diagram

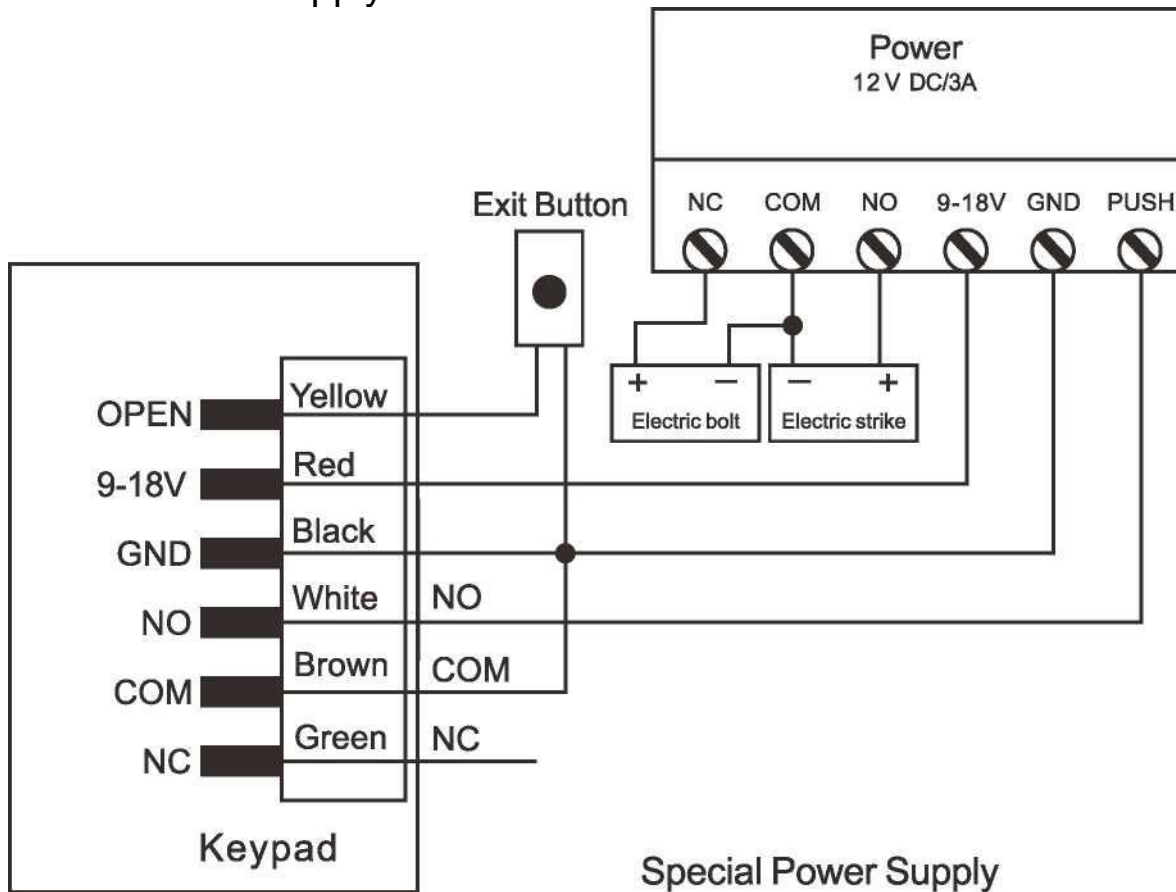
Common power supply:



**Attention:** Install a 1N4004 or equivalent diode is needed when use a common power supply, or the keypad might be damaged. (1N4004 is included in the packing)



## Access Control Power Supply:



## PROGRAMMING

Programming will vary depending on access configuration. Follow the instructions according to your access configuration.

### GENERAL PROGRAMMING INFORMATION

> **User ID Number:** Assign a user ID number to the access code in order to keep track of the users of access PINS. The normal user ID can be any number from 0~989, and the 10 groups of visitors from 990-999.

IMPORTANT: User IDs do not have to be preceded with any leading zeros.

Recording of User ID is critical. Modifications to user data require either the card or the User ID be available.

> **Keypad PIN:** The PIN can be any 4~6 digits between 0000~999999



## Enter and Exit Program Mode

Programming Step	Keystroke Combination
1. Enter Program Mode	* <b>(Master Code) #</b> Factory default is 123456
3. Exit Program Mode	*

## Set Master Code

Programming Step	Keystroke Combination
1. Enter Program Mode	* <b>(Master Code) #</b>
2. Update Master Code	<b>0 (New Master Code) # (Repeat New Master Code) #</b> (code: 4-6 digits)
3. Exit Program Mode	*

## Add or Delete a PIN

Programming Step	Keystroke Combination
1. Enter Program Mode	* <b>(Master Code) #</b>
2. Add a PIN Assigns PIN to user ID number OFT	<b>1 (User ID)# (PIN)#</b> PINs can be added continuously.
2. Delete a PIN Deletes the User ID number and associated PIN	<b>2 (User ID)#</b> PINs can be deleted continuously.
3. Exit	*

## Change a PIN

This operation is executed from outside of Program Mode.

Programming Step	Keystroke Combination
1. Change a PIN	* <b>(User ID #) (Old PIN #) (New PIN #) (New PIN #)</b>

## Visitor User Setting

There are 10 groups Visitor PIN available, the users can be



specified up to 10 times of usage, after a certain number of times, i.e. 5 times, the PIN become invalid automatically.

Programming Step	Keystroke Combination
1. Enter Program Mode	* (Master Code) #
2. Add Visitor PIN User	8(0-9#) (User ID#) (PIN#)# PIN is any 4~6 digits number 2 (User ID#)
2.Delete Visitor Users	
3. Exit Program Mode	*
Note: Number of time is 0~9, 0=10 times User ID number must be any number between 990~999 Visitor PIN must be unique, should be distinguished from common PIN	

### Set Relay Configuration

The relay configuration sets the behaviour of the output relay on activation.

Programming Step	Keystroke Combination
1. Enter Program Mode	* (Master Code) #
2. Pulse Mode	<b>4 (1-99) #</b> The relay time is 1-99 seconds. (1 is 50mS.) Default is 5 seconds.  <b>4 0#</b> Sets the relay to ON/OFF Latch mode
OR 2. Latch Mode	
3. Exit	*

### Set Strike-out Alarm

The strike-out alarm will engage after 10 failed PIN attempts. Default is OFF. The strike-out alarm can be set to deny access for 10 minutes after engaging or it can be set disengage only after entering a valid PIN or Master code.



Programming Step	Keystroke Combination
1. Enter Program Mode	* <b>(Master Code) #</b>
2. Strike-Out OFF OR 2. Strike-Out ON OR	6 0# (factory default)
2. Strike-Out ON Set alarm time	6 1# Access will be denied for 10 minutes  6 2# The buzzer alarms.  5 (0~3) # Factory default is 1 minute.
3. Exit	*

## OTHERS -----

### Reset to Factory Default:

1. Power off
2. Press the \* Button, hold it and power on
3. There will be two beeps, release the button, then will have one beep  
The device reset to factory default successfully.

Remark: Reset to factory default, the user's information is still retained.

### Erase all Users

This will delete ALL User data.

1. Enter Program Mode by press: \*(Master Code) #.
2. Press **2 (Master Code) #**
3. Exit: \*

All configuration data is retained.

### Reset Strike-Out Alarm

Enter Master Code or Valid PIN to silence





## Sound and Light Indication

Operation Status	Red LED	Green LED	Sounds
Power on	Bright		Short Single Beep
Stand by	Bright		
Press Keypad	Flashing		Short Single Beep
Enter Master Code Entry Mode	ON		Short Single Beep
In program mode	ON	Single Flash	Short Single Beep
Entered Program Step Successfully	ON	Single Flash	Short Single Beep
Entered Program Step Incorrectly			Short Single Beep
Exit from the programming mode	Bright		Short Single Beep
Entry Granted		ON	Short Single Beep
Open lock	Green light bright		One beep
Alarm Mode Engaged	Flashing		Alarm
Alarm	Red light Shines quickly		Beeps
Pressing * Toggles Standby / Master Code Entry	ON/Flashing		Short Single Beep



Simplified Instruction	
Function Description	Operation
Enter the Programming Mode	* <b>(Master Code) #</b> (123456 is the default factory master code)
Change the Master Code	<b>0 (New Master Code) # (Repeat New Master Code) #</b> (code: 4-6 digits)
Add PIN User	<b>1 (User ID) # (PIN#) #</b> The ID number is any number between 0 ~989. The PIN is any 4-6 digits between 0000 ~999999
Delete User	<b>2 (User ID#) #</b>
Exit from the programming mode	*
<b>How to be granted access</b>	
PIN User	<b>Enter (PIN) #</b>

