

Argus Selector

Your safety is our concern



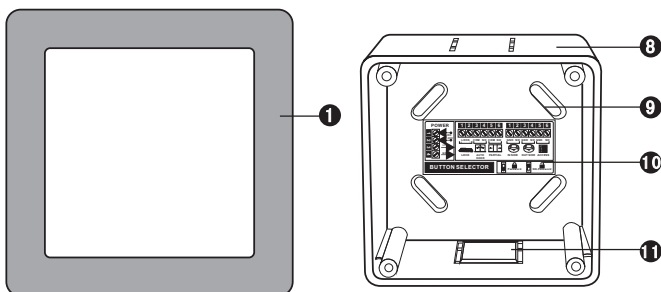
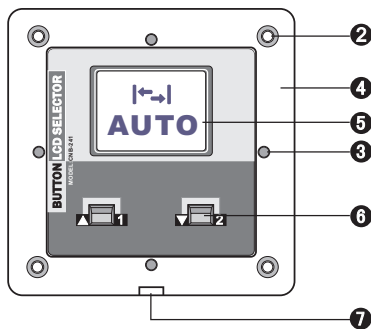
Operation Instruction



1 Safety Instruction

Thanks for your purchasing, please refer to the following before using.

2 Overview



- 1 stainless steel panel
- 5 LCD Screen
- 9 fixing screw×4pcs
- 2 fixing screw×4pcs(bottom)
- 6 function button
- 10 wiring label
- 3 fixing magnet×4pcs (Panel)
- 7 hole for cover remove
- 11 The punch line×3pcs
- 4 main panel
- 8 bottom cap

3 Characteristic

- This product is unidirectional command switch for automatic door accessory using. Manually issue automatic/exit /lock/open/partial instructions to switch functions.
- With Two working model:password and non-password to change function.
- With TFT true color liquid display, special design with bottom panel, convenient for different installation.
- Adopt wide voltage to connect different power supply with autodoor controllers.

4 Function

AUTO Internal and external probe are effective. Working hours with normal business

EXIT External probe is lose effectiveness and electric lock locked automatically while external access controller and internal probe are available. Only insider can get in by swiping card. Internal probe is effective, people can get out. **Be used for clearing up a gathering place.**

PARTIAL External and internal probes are effective. Door maintains half-open and shut back. **Working hours with normal business.**

LOCK All probe and access controller are lose effectiveness. electric lock locked automatically. People inside and outside can not enter in. **Be used for preventing thieves at night or on holidays periods.**

OPEN All probe and access controller are lose effectiveness. Door keeps fully open. **For emergency using.**

5 Function

Password Function switch with password, dial switch push to terminal "1"

Function Switch
Please press KEY **1 2** for 5s simultaneously, when you hear one buzzer, input 4 password (Default password: 1111), and press again **1 2** simultaneously to enter the system programming. Select the function by **1 2**. And press **1 2** simultaneously to confirm. Or wait for 2S to confirm automatically by system.

Modify password:
Please press KEY **1 2** for 10s simultaneously, ignore the first buzzer you will hear within 5S. Input the original password when you hear second buzzer within 10S and press **1 2** simultaneously to confirm. Input the new password and press **1 2** simultaneously to confirm—Input the new password again—press **1 2** simultaneously to confirm new password.

(Note: Please keep the password in safe condition, in case of password been forgotten, Please carry out the initialization setting. Default password is 1111)

Initialization setting:
Open the cover—connect the power and press any key of **1 2**--pull the dial switch to ON, and pull back to terminal 1--All indicators with Two flashes--Initialization setting success. Default password is 1111.

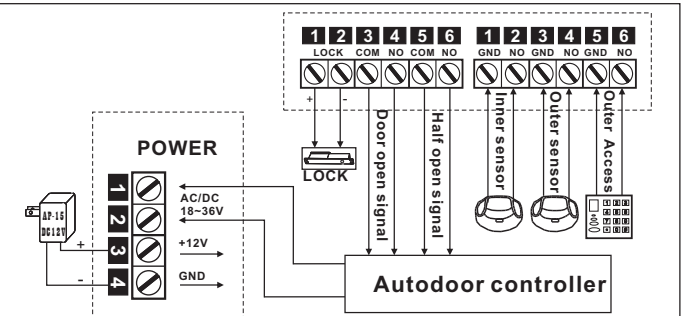
NO-Password Function switch with non-password, please pull the dial switch to ON.

Function switch with non-password:
Select the function by **1 2**. And press **1 2** simultaneously to confirm. Or wait for 2S to confirm automatically by system.

Chinese

English

7 Wiring



Note: When input voltage is DC12V, Please connect into POWER terminal 3 and 4. (as picture shown)

8 Parameters

Input Power:	AC/DC18V~36V
Function:	5 Range
Dimension:	92×92×33mm
Hole Dimension:	85×85×30mm